

95P Zirconia Atomising Nozzles



Low Road
Earlsheaton
Dewsbury
WF12 8BU
United Kingdom

T: +44 (0)1924 468201
F: +44(0)1924 459429

Email: info@magmaceramics.com
Web: www.magmaceramics.com



Description

Manufactured using a pressed fine grained Magnesia stabilised Zirconia material, these Atomising Nozzles exhibit good surface finish, excellent wear resistance & temperature stability and are made to tight tolerances.

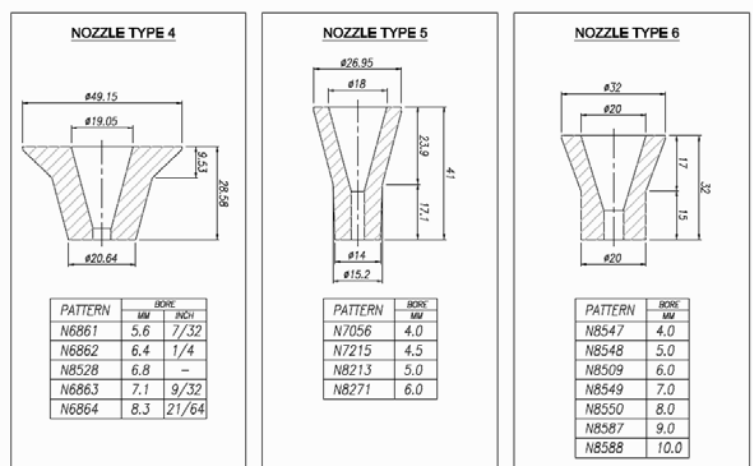
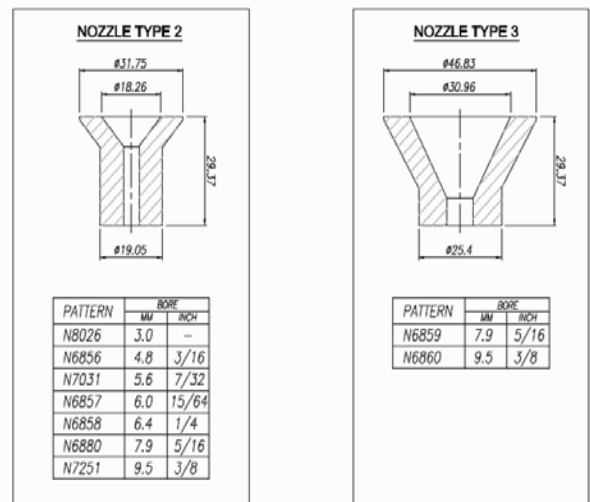
They are used in specialist metal powder preparation, particularly steel and nickel alloys.

95P Zirconia

Physical Properties	Target Values
Bulk Density (kg/m ³)	4.6
Apparent Porosity (%)	20
Chemical Analysis	%
SiO ₂	0.5
Al ₂ O ₃	0.4
Fe ₂ O ₃	0.1
CaO/MgO	5.6
Na ₂ O/K ₂ O	-
ZrO ₂ /HfO ₂	93.3
Max Service Temperature	1850°C

Our Technical Sales Team would be happy to discuss your specific requirements in detail in order to design a bespoke product.

Zirconia Atomising Nozzles



REGISTERED OFFICE:

Low Road, Earlsheaton, Dewsbury, WF12 8BU, ENGLAND
Tel: +44(0) 1924 468 201 / Email: info@magmaceramics.com
Web: <http://magmaceramics.com>